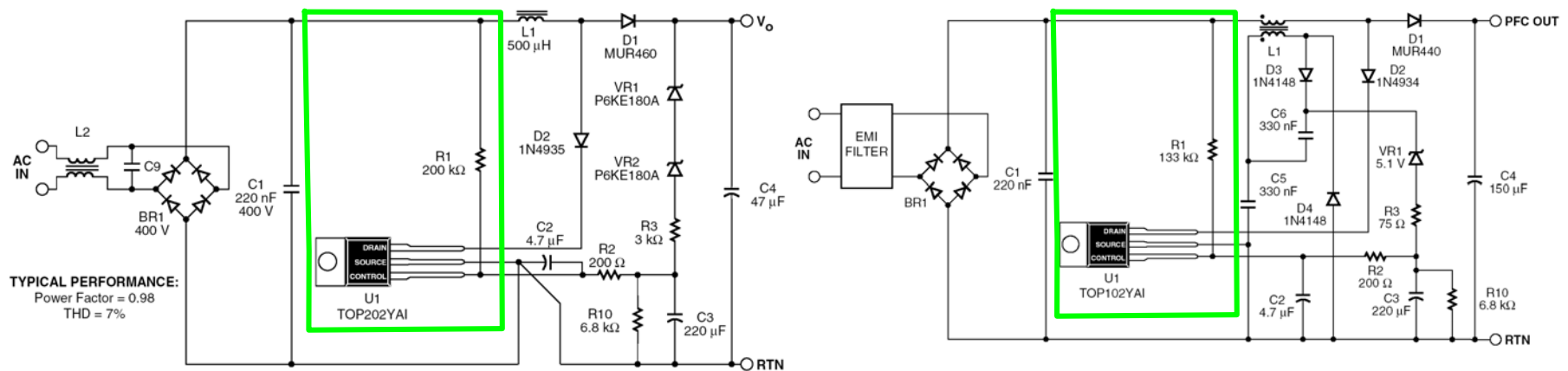


PF-Comp™ Low Cost PFC Circuit

- Resistor R1 provides feed-forward signal to adjust duty cycle in response to full wave rectified input voltage
- Two configurations below



- Cost saving in external circuitry \$0.04 – \$0.08