

DI-41 参考设计 TOPSwitch-GX

43 W、100/115 VAC多输出机顶盒电源

应用	器件	输出功率	输入电压	输出电压	拓扑结构
机顶盒	TOP247YN	43 W cont, 57 W pk	90 – 132 VAC	3.3 V, 5 V, 12 V, 18 V, 33 V	反激式

设计特色

- 低成本，元件数量少
- 出色的输出电压跟踪和交叉调整率—不需要线性调整器
- 高效率，90 VAC输入时效率>71%
- 线电压欠压检测(UV)和电源系统浪涌保护(OV)
- 满足CISPR22B/EN55022B传导EMI限制
- 通过4 kV差模和共模浪涌测试(EN61000-4-5)
- 通过4 kV/100 kHz震铃波测试(IEEE C62.41)

工作方式

图1的设计使用了TOP247YN并应用了TOPSwitch-GX的很多特性。用一个2 MΩ的电阻(R1)实现线电压UV和OV（各为100 V和450 V）

功能。欠压消除了开/关机时的输出抖动，过压在输入电压瞬态和长时间浪涌时提供保护。R4将U1的内部限流点设置为标称值的80%，限制了过载功率。

所示电路的关键特性是具有出色的输出电压跟踪和交叉调整率。使用了两种技术使输出电压恰好位于中心值。超快整流管D10（用来代替肖特基）的额外电压降使5 V输出正好是5 V的同时，使用直流叠加来改善12 V、18 V和30 V的输出。磁珠L7和12 V、18 V、30 V输出绕组串联来改进这些输出的设置精度和交叉调整率。

频率抖动可以在简单的滤波情况下提供大的EMI裕量。初级软启动在启动时使元件应力最小，软启动电容(C20)消除了输出启动过冲。

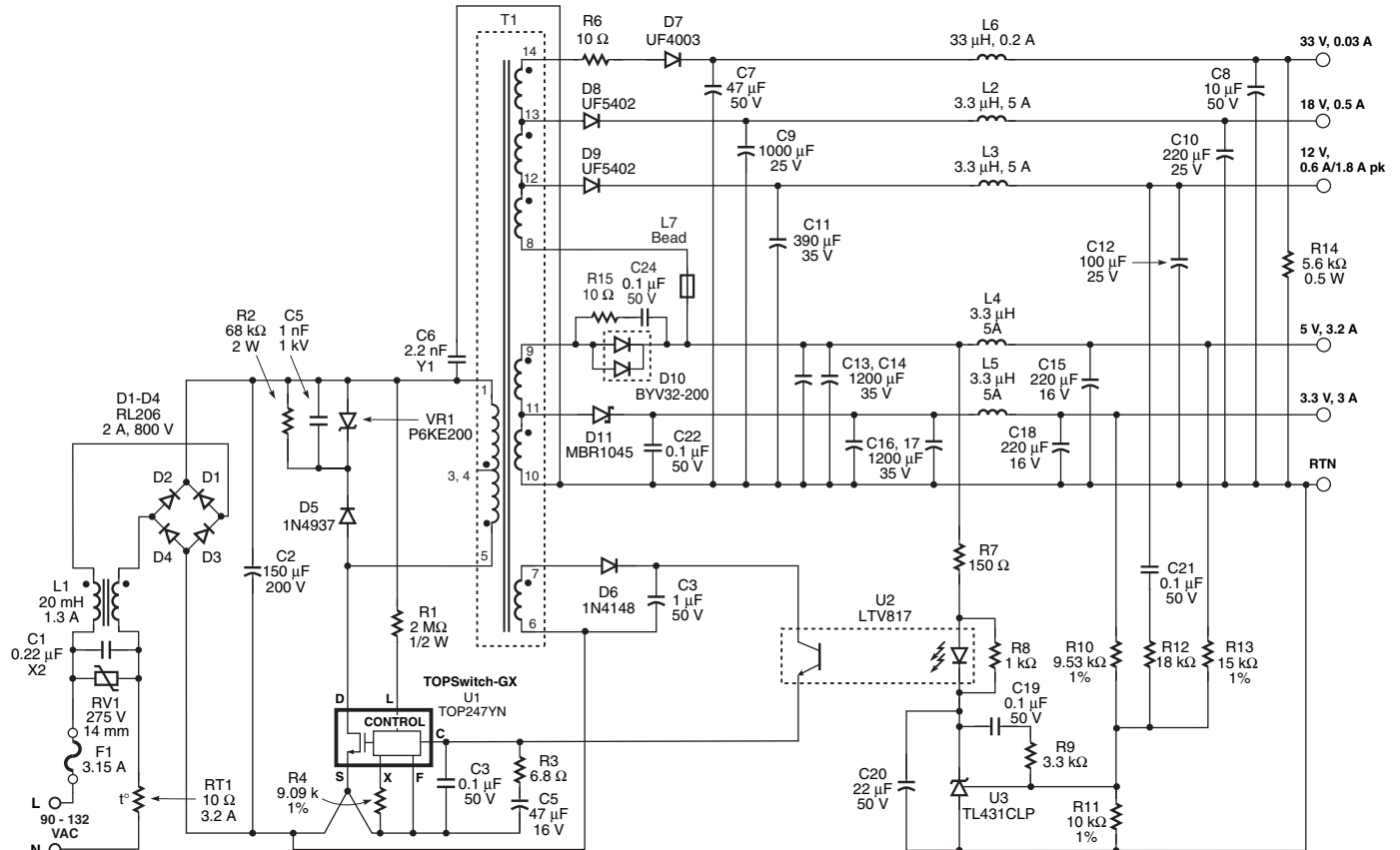


图1. 使用TOPSwitch-GX的43 W连续、57 W峰值的机顶盒电源

PI-3389-101408

设计要点

- 使 K_{RP} （纹波对峰值的电流比）在0.4-0.6之间，可得到较高的效率和交叉调整率。 V_{OR} （反射输出电压）在90 V到110 V之间以使性能优化。
- 走大开关电流的PCB走线应该短且宽从而减少EMI。
- 使每一个绕线层充满整个骨架的宽度，减小漏感、改善交叉调整率。
- 电阻R14在33 V输出上提供了一个小的假负载，阻止了由漏感尖峰形成的峰值充电效应。
- R5和C5减少了VR1的功率损耗。

电压 (V)	负载范围 (%)	调整率(%)											
		-8	-7	-6	-5	-4	-3	-2	-1	0	1	2	3
3.3	1-3												
5	1-3.2												
12	0.3-0.6												
30	0.01-0.03												

表2. 在最差情况下输出调整率—输出从最小到最大负载，线电压从85 VAC到132 VAC

变压器参数

磁芯材料	ERL28, Nippon Ceramic NC-2H material or equivalent, gapped for A_{LG} of 128 nH/t ²
骨架	ERL28 14 pin, Vertical, Jinbo Industrial JB-0039 or equivalent
绕组细节	Primary: 30T + 23T, 25 AWG Shield: 1T, 0.6" × 0.001" Cu foil Bias: 7T, 2 × 27 AWG 3.3 V: 2T, 0.6" × 0.005" Cu foil 5 V: 1T, 0.6" × 0.005" Cu foil 12 V: 4T, 2 × 27 AWG 18 V: 3T, 2 × 27 AWG 33 V: 6T, 27 AWG (2 × 27 AWG = Bifilar 27 AWG)
绕组顺序 (引脚号)	Apply 3.2 mm tape margin to both sides of bobbin. Primary (4-3), tape, Shield (1-NC), tape, Bias (6-7), 3 × tape, 5 V (9-11), 3.3 V (11-10), tape, 12 V (12-8), 18 V (13-12), 33 V (14-13), 3 × tape, Primary (3-1), 3 × tape
电感	Primary: 356 μ H Leakage: 11 μ H (maximum)
初级共振频率	650 kHz (minimum)

表1. 变压器结构信息 (AWG = 美国线规, NC = 无连接)

Power Integrations
5245 Hellyer Avenue
San Jose, CA 95138, USA.
Main: +1 408-414-9200
Customer Service
Phone: +1-408-414-9665
Fax: +1-408-414-9765
Email: usasales@powerint.com

On the Web
www.powerint.com

Power Integrations reserves the right to make changes to its products at any time to improve reliability or manufacturability. Power Integrations does not assume any liability arising from the use of any device or circuit described herein. POWER INTEGRATIONS MAKES NO WARRANTY HEREIN AND SPECIFICALLY DISCLAIMS ALL WARRANTIES INCLUDING, WITHOUT LIMITATION, THE IMPLIED WARRANTIES OF MERCHANTABILITY, FITNESS FOR A PARTICULAR PURPOSE, AND NON-INFRINGEMENT OF THIRD PARTY RIGHTS. The products and applications illustrated herein (transformer construction and circuits external to the products) may be covered by one or more U.S. and foreign patents or potentially by pending U.S. and foreign patent applications assigned to Power Integrations. A complete list of Power Integrations' patents may be found at www.powerint.com. Power Integrations grants its customers a license under certain patent rights as set forth at <http://www.powerint.com/ip.htm>.

The PI logo, TOPSwitch, TinySwitch, LinkSwitch, DPA-Switch, PeakSwitch, EcoSmart, Clampless, E-Shield, Filterfuse, StackFET, PI Expert and PI FACTS are trademarks of Power Integrations, Inc. Other trademarks are property of their respective companies. ©2002, Power Integrations, Inc.