

# Shield Tuning

## ■ Description

- ▶ Reduce the common mode input current of a power converter by inserting impedance elements between the shield terminal and input terminal of the transformer until a voltage waveform reverses polarity between the input and output of the power converter with the shield terminal as an open circuit

## ■ Benefits

- ▶ Reduces EMI
- ▶ Reduces development time
- ▶ **Could be used with:** flyback converters

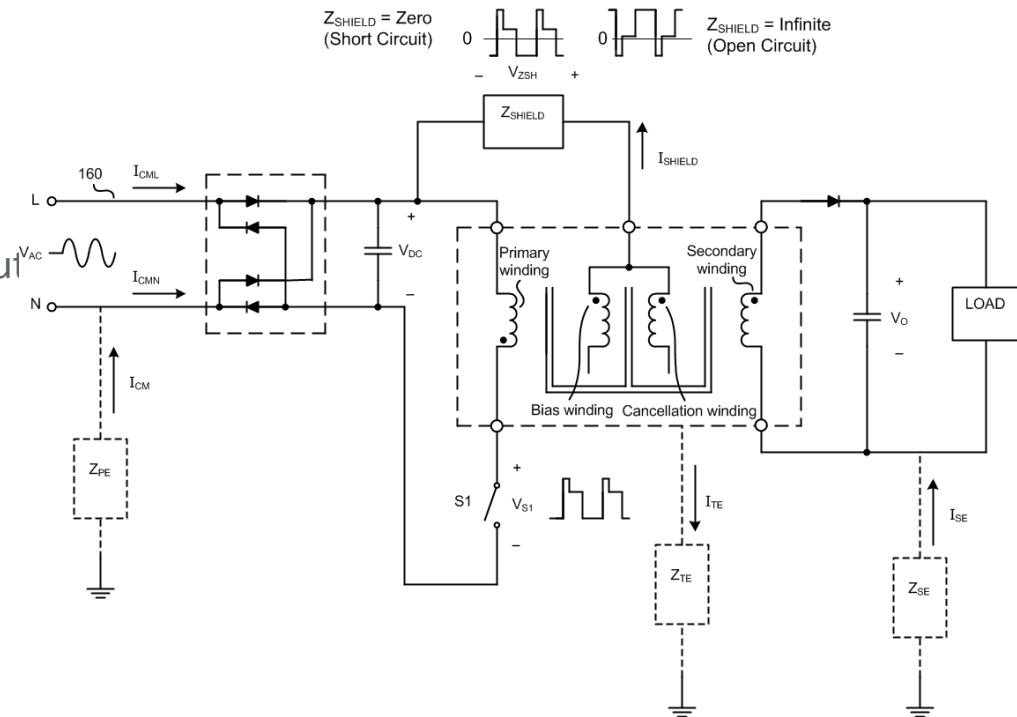


Figure 1. Example power converter with impedance elements